



XM24 Expansion Module

Installation Instructions

220-100-100
Comcode 700191224
Issue 1
June 2001

© 2001 Avaya Inc.
All Rights Reserved

THE XM24 EXPANSION MODULE

The XM24 Expansion Module is an optional device that can be connected to a 6416 or 6424-type telephone to extend the number of call appearance and feature buttons available on the telephone.

The expansion module has 24 buttons arranged in two columns. Each of these buttons has a red and green light next to it. These buttons can be used for call appearances or features.

Figure 1 shows a top view of the expansion module.

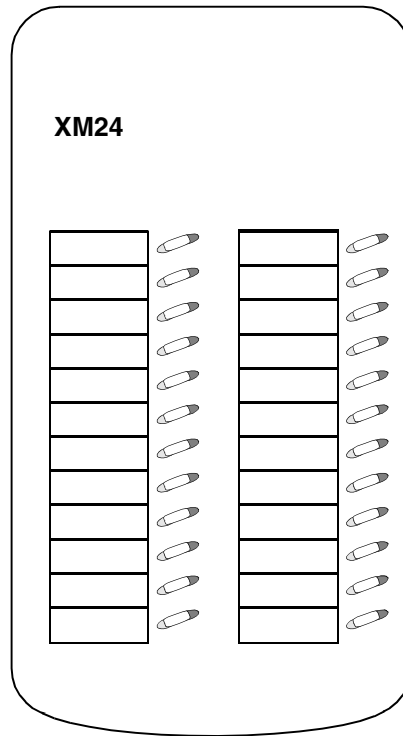


FIGURE 1 The XM24 Expansion Module

CONNECTING THE EXPANSION MODULE

The expansion module (shown on the left in Figure 2) shall be connected to the 6416 or 6424-type telephone (shown on the right in Figure 2) with the D6AP-87 cord.

NOTE: To successfully power the XM24, a D8W modular cord must be connected to the 6416 or 6424-type telephone and the power unit (see Power Requirements). The D2R telephone line cord will not supply power to the XM24.

NOTE: The 6400 Series telephone with an attached expansion module can be used only on a flat surface such as a desk. The telephone and expansion module CANNOT be wall-mounted.

- 1 Snap one end of the cord into the 6-pin Expansion Module jack, labeled “XM24” (3), on the bottom of the 6400 Series telephone and then thread the cord upwards through the routing channel (2) on the telephone. See Figure 2.
- 2 Thread the other end of the D6AP-87 cord downwards through the routing channel (1) on the expansion module and snap the free end of the cord into the 6-pin jack, labeled “TEL SET” (4), on the bottom of the expansion module.

Figure 2 shows the connection of the 6416-type telephone to the expansion module. (The expansion module is connected to the 6424-type telephone in exactly the same way.)

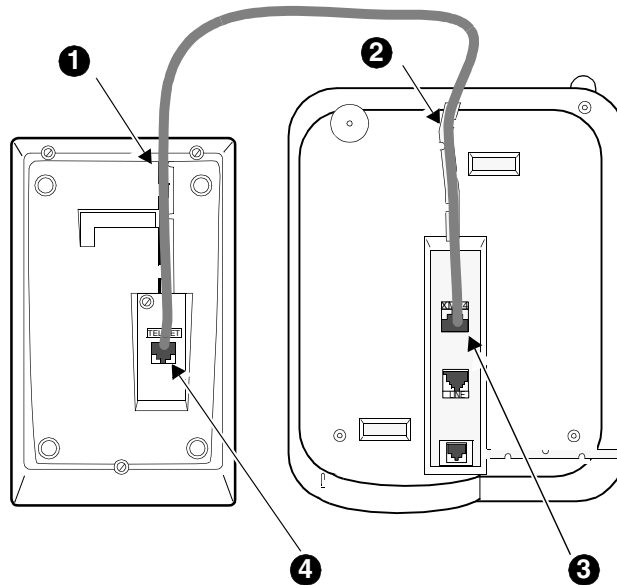


FIGURE 2 Connection of the 6416-Type and 6424-Type Telephones to the Expansion Module

POWER REQUIREMENTS

The expansion module requires auxiliary power.

- Suitable stand-alone power supplies are the 1151A1 and the 1151A2 with Battery Holdover.
- Suitable bulk power supplies are the 1145A and the 1145B1.

Figure 3 shows connections for the 6416D Plus and the 6424D Plus with an XM24 Expansion Module, using an Individual power supply

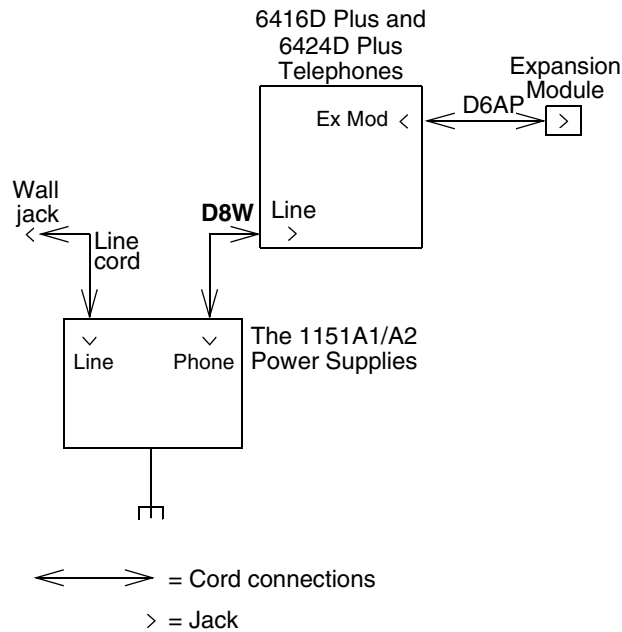


FIGURE 3 Connecting the 6416-Type or the 6424-Type Telephones with the XM24 Expansion Module Using an 1151A/A2 Power Supply

LABELING THE BUTTON DESIGNATION CARD

The expansion module has a 2-column designation card on which the user can type or write the telephone numbers, extensions, or features assigned to each of the buttons on the expansion module. Use the following directions to remove, label, and replace the designation card.

- 1** The transparent cover is attached to the frame of the expansion module by tabs on the top and bottom of the cover. To remove the cover, press the top tab forward and lift the card cover toward you. Then, lift the bottom of the transparent cover from the bottom tabs.
- 2** Remove the card.
- 3** Print the desired labels on the blank designation card.
- 4** Once you have placed the designation card on the expansion module, you can replace the transparent cover by inserting the tabs at the bottom, and press the top down until it clicks.

TEST OPERATION

When you initiate the Test feature on a 6416-type or 6424-type telephone with an attached expansion module, the lights on the 6400 Series telephone go on in separate columns and the display fills in all the segments. Also, all the button lights on the expansion module go on.